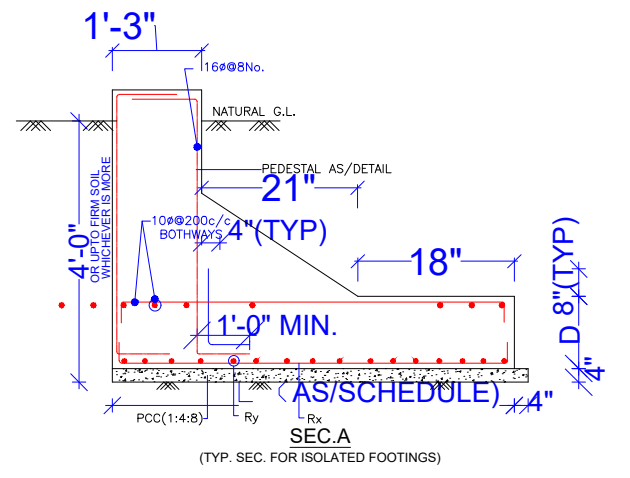
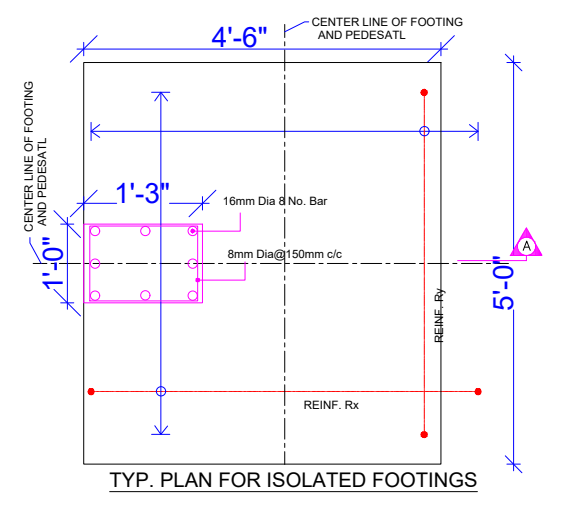
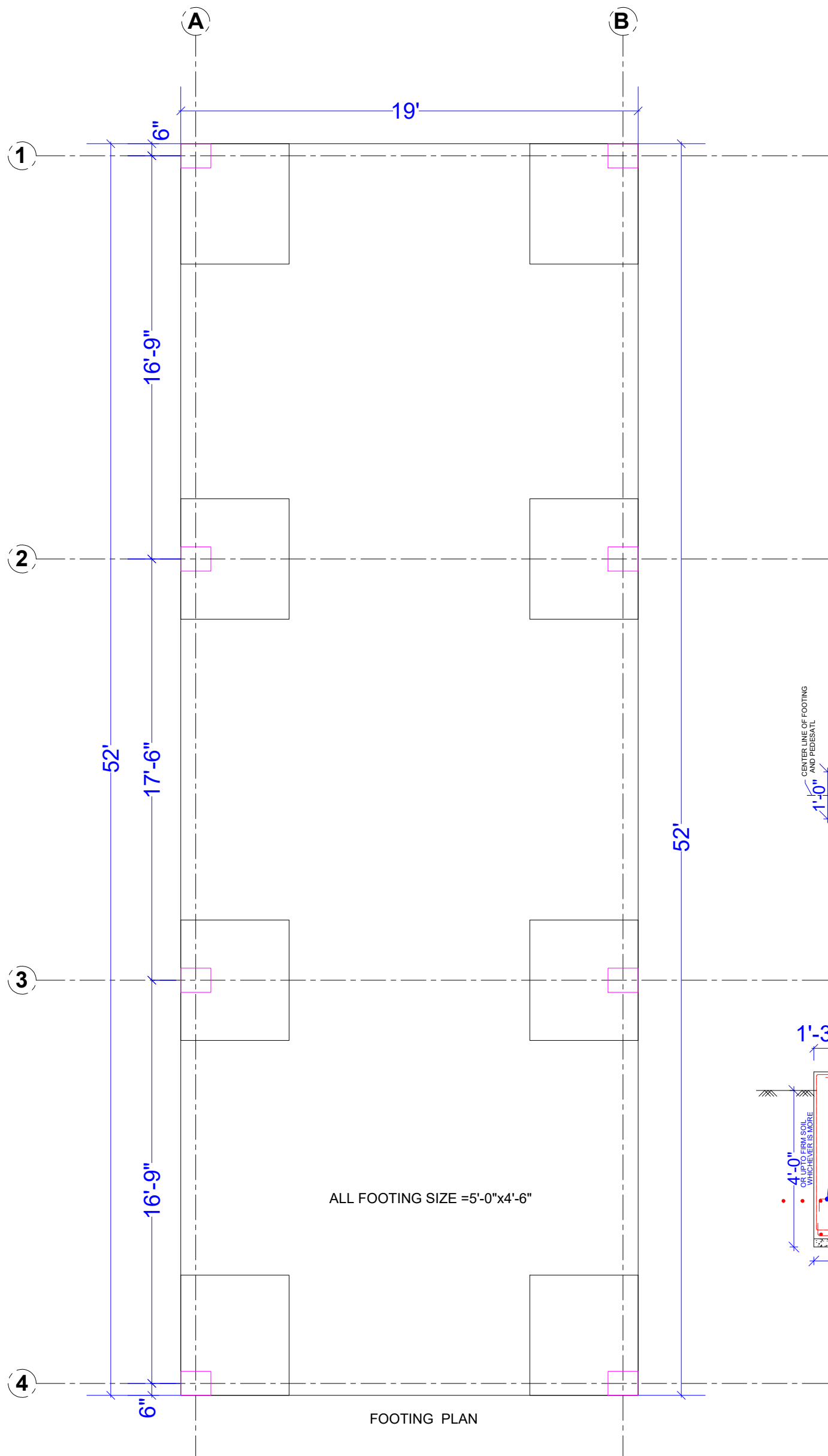


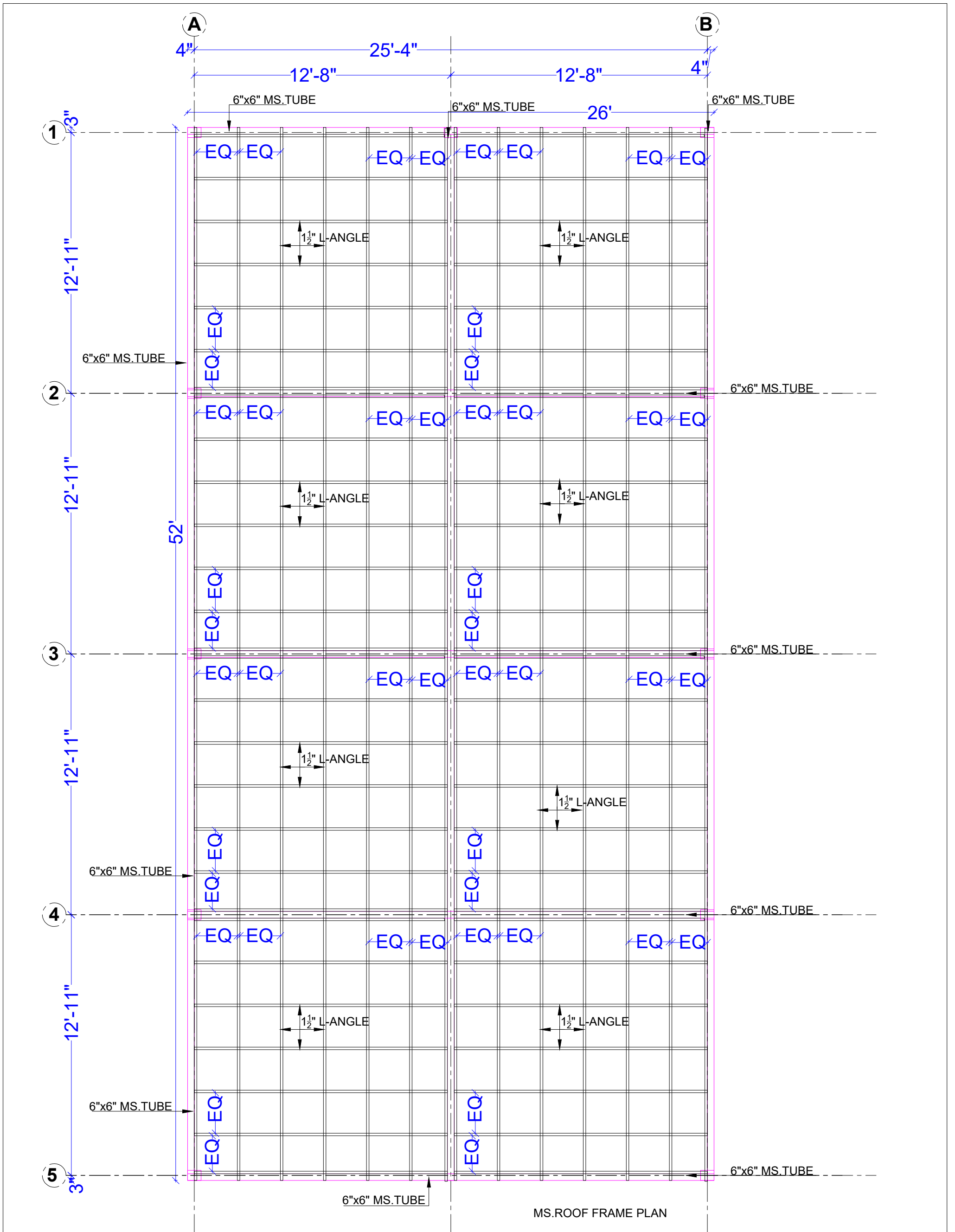
PROJECT:- SHED	DWG.TITLE ELEVATIONS-1	DATE 17.02.2025	ISSUED TO	DESIGNED BY	AHAD ARCHITECT ADD:- Shri Krishna Residency, Doctor Saini wali Gali, Haldwani Morh, Phase2, Noida Email:- amir21w@gmail.com Mob. 9654004842	NORTH
			SCALE	AR. AMIR KHAN		



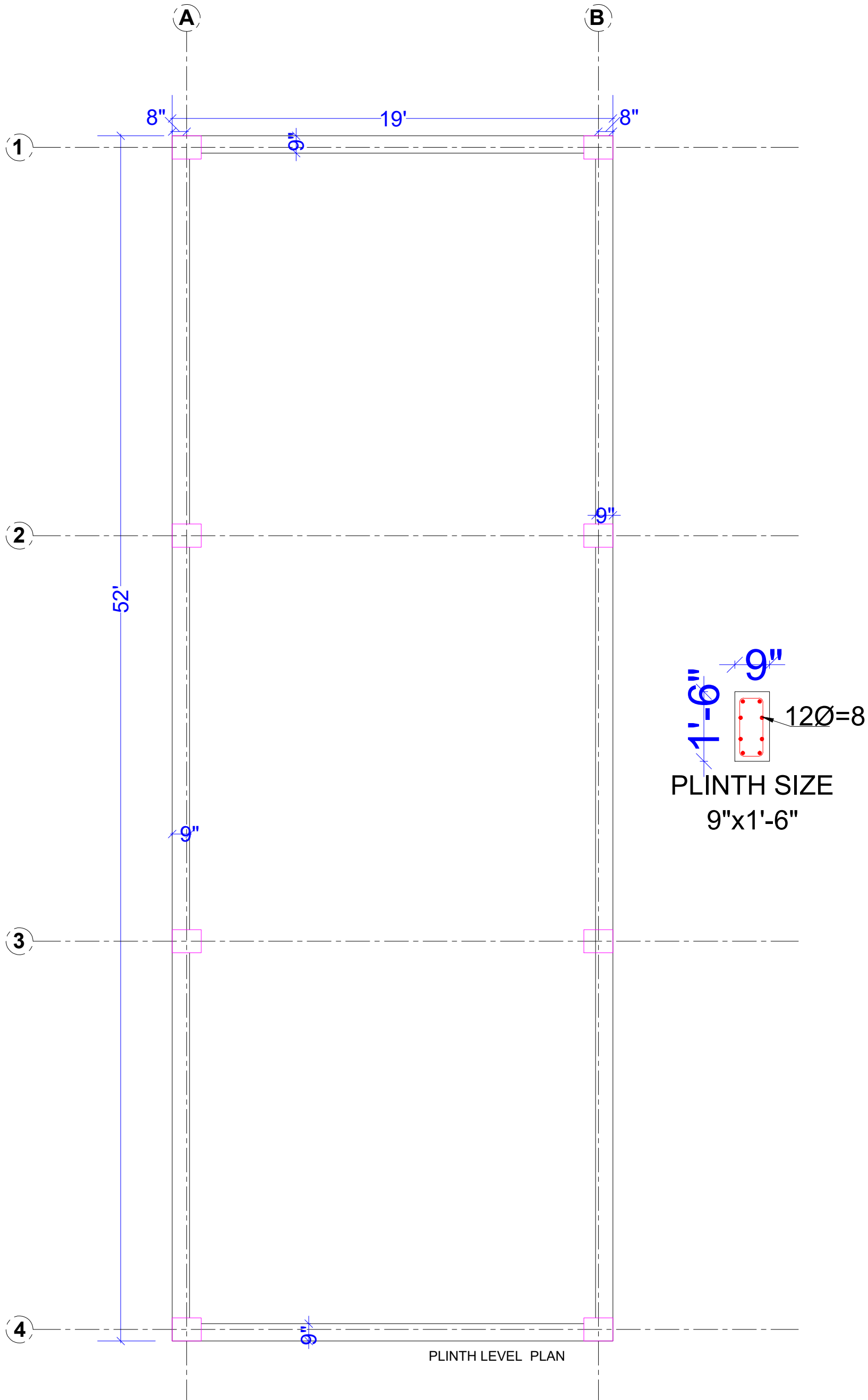
ALL FOOTING SIZE = 5'-0" x 4'-6"

FOOTING PLAN

PROJECT:- SHED	DWG.TITLE FOOTING LAYOUT PLAN	DATE 17.02.2025	ISSUED TO	DESIGNED BY	AHAD ARCHITECT ADD:- Shri Krishna Residency, Doctor Saini wali Gali, Haldwani Morh, Phase2, Noida Email:- amir21w@gmail.com Mob. 9654004842	NORTH
			SCALE	AR.AMIR KHAN		

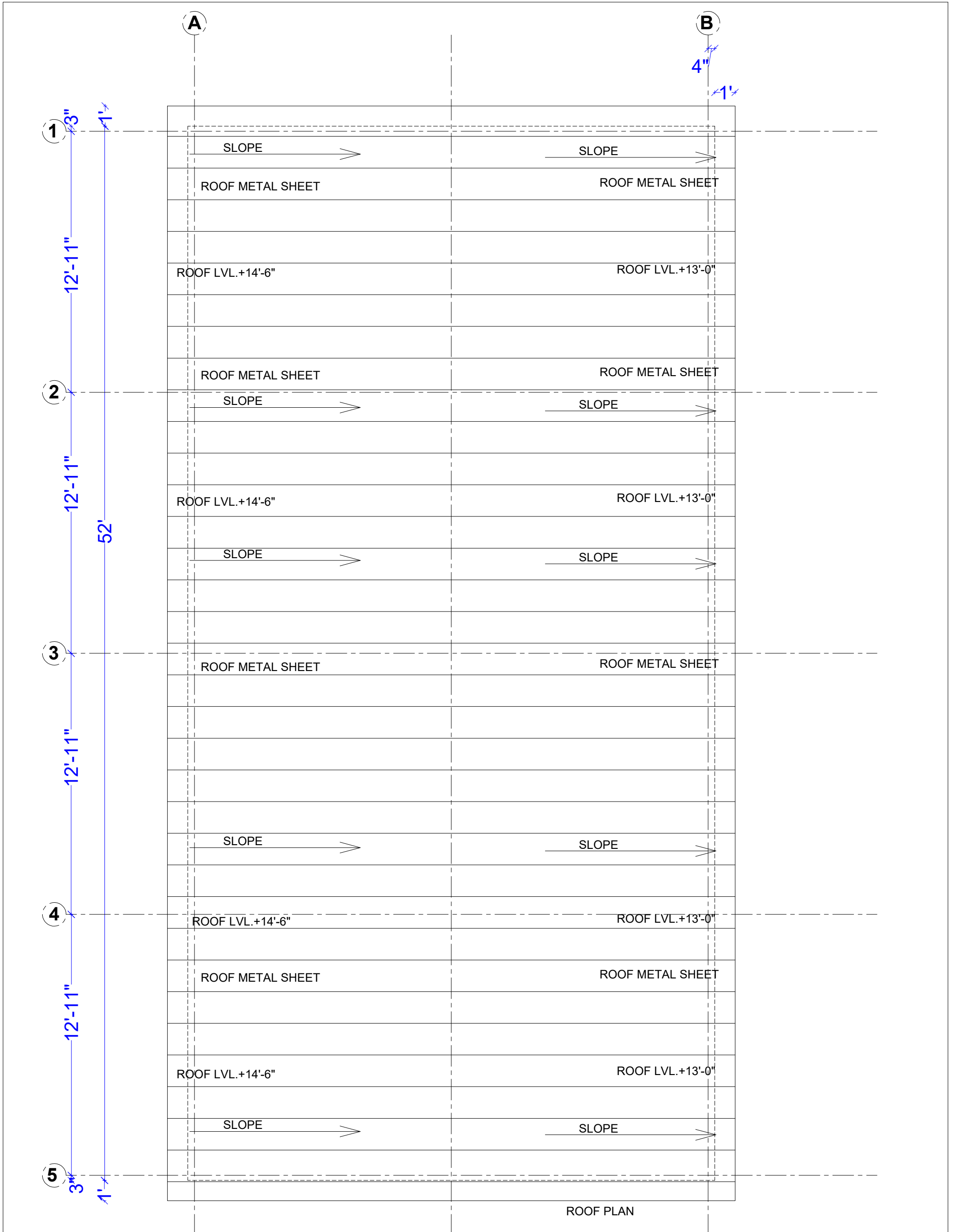


PROJECT:- SHED	DWG.TITLE MS.ROOF FRAME PLAN	DATE 17.02.2025	ISSUED TO	DESIGNED BY Ar.AMIR KHAN	AHAD ARCHITECT ADD:- Shri Krishna Residency, Doctor Saini wali Gali, Haldwani Morh, Phase2, Noida Email:- amir21w@gmail.com Mob. 9654004842	NORTH
			SCALE			

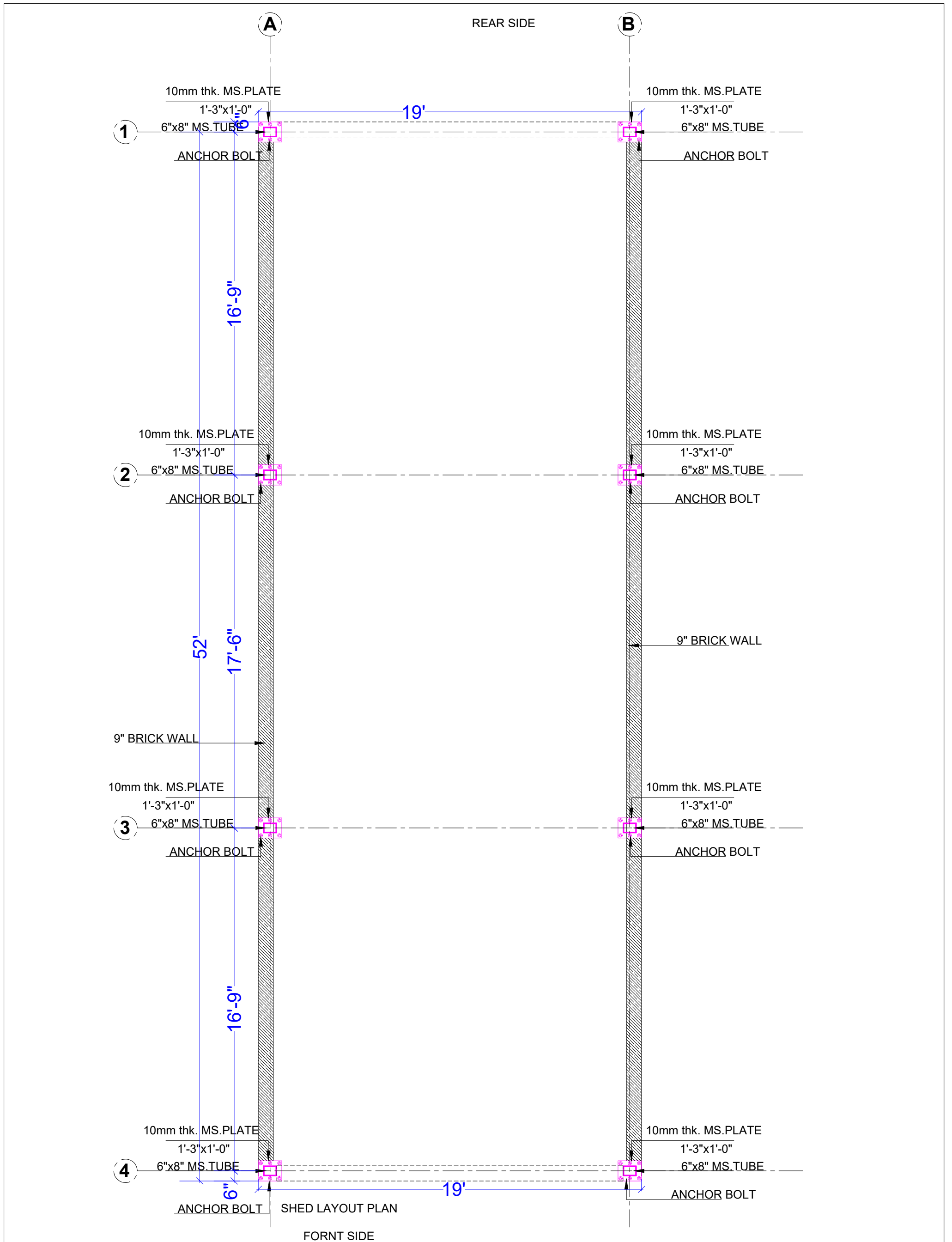


PLINTH LEVEL PLAN

PROJECT:- SHED	DWG.TITLE PLINTH BEAM PLAN	DATE 17.02.2025	ISSUED TO	DESIGNED BY	AHAD ARCHITECT ADD:- Shri Krishna Residency, Doctor Saini wali Gali, Haldwani Morh, Phase2, Noida Email:- amir21w@gmail.com Mob. 9654004842	NORTH
			SCALE	AR. AMIR KHAN		



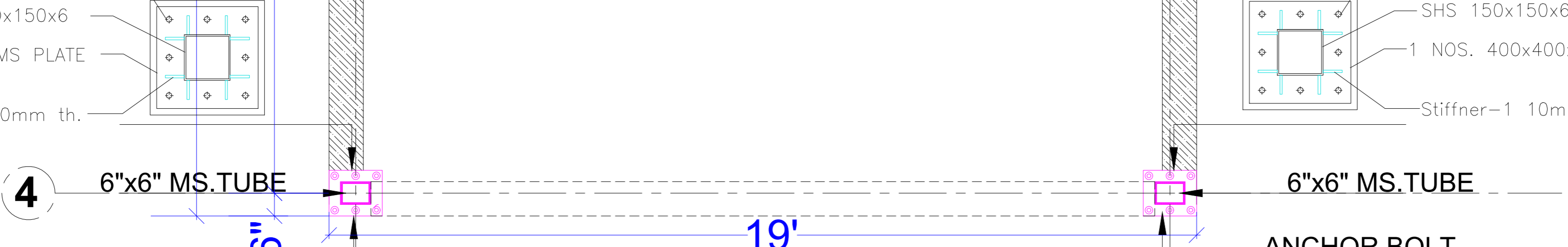
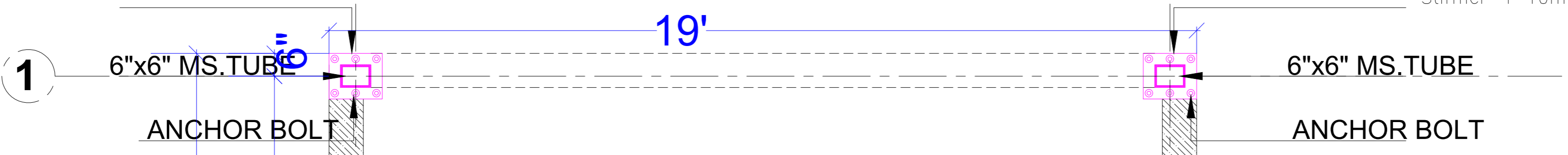
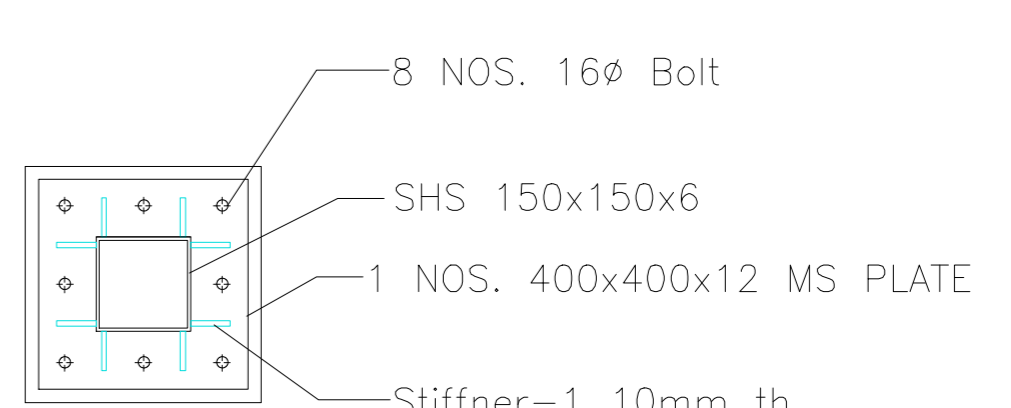
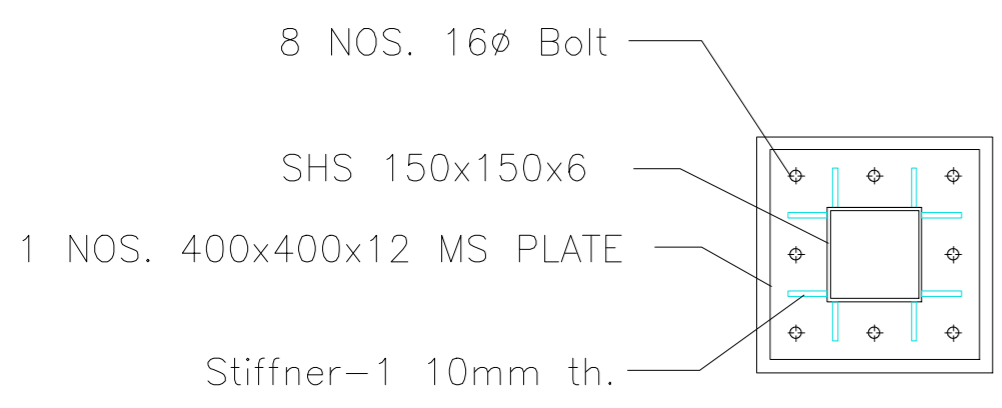
PROJECT:- SHED	DWG.TITLE ROOF PLAN	DATE 17.02.2025	ISSUED TO	DESIGNED BY	AHAD ARCHITECT ADD:- Shri Krishna Residency, Doctor Saini wali Gali, Haldwani Morh, Phase2, Noida Email:- amir21w@gmail.com Mob. 9654004842	NORTH
			SCALE	AR. AMIR KHAN		



PROJECT:- SHED	DWG.TITLE SHED LAYOUT PLAN	DATE 17.02.2025	ISSUED TO	DESIGNED BY	AHAD ARCHITECT ADD:- Shri Krishna Residency, Doctor Saini wali Gali, Haldwani Morh, Phase2, Noida Email:- amir21w@gmail.com Mob. 9654004842	NORTH
			SCALE	AR.AMIR KHAN		

REAR SIDE

B



SHED LAYOUT PLAN
FORNT SIDE

PROJECT:- SHED	DWG.TITLE SHED LAYOUT PLAN	DATE 03.02.2025	ISSUED TO	DESIGNED BY	AHAD ARCHITECT Shri Krishna Residency 303-3rd Floor Haldwani Mor Phase 2 Noida +91-9654004842	NORTH
			SCALE	AR.AMIR KHAN		